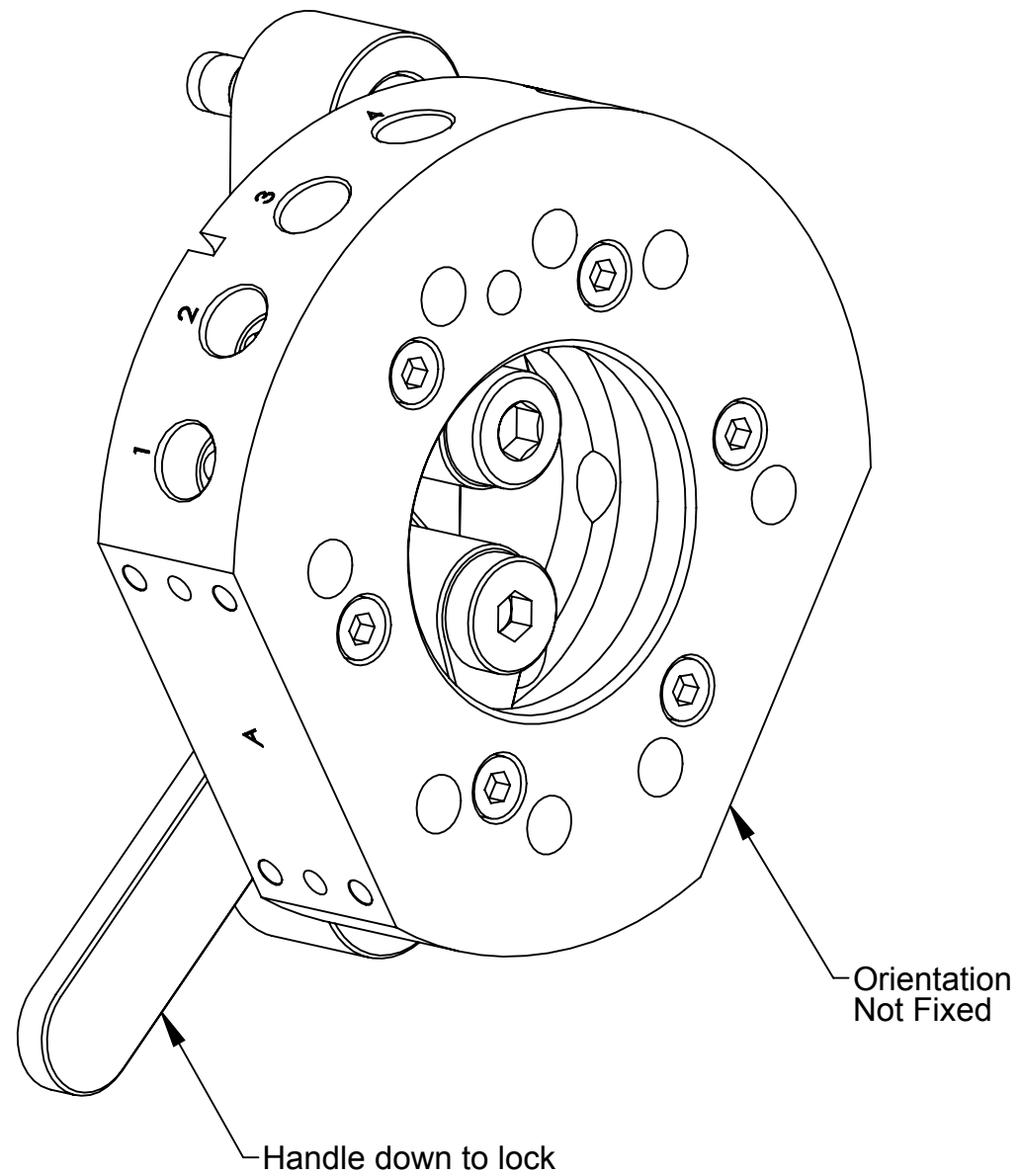
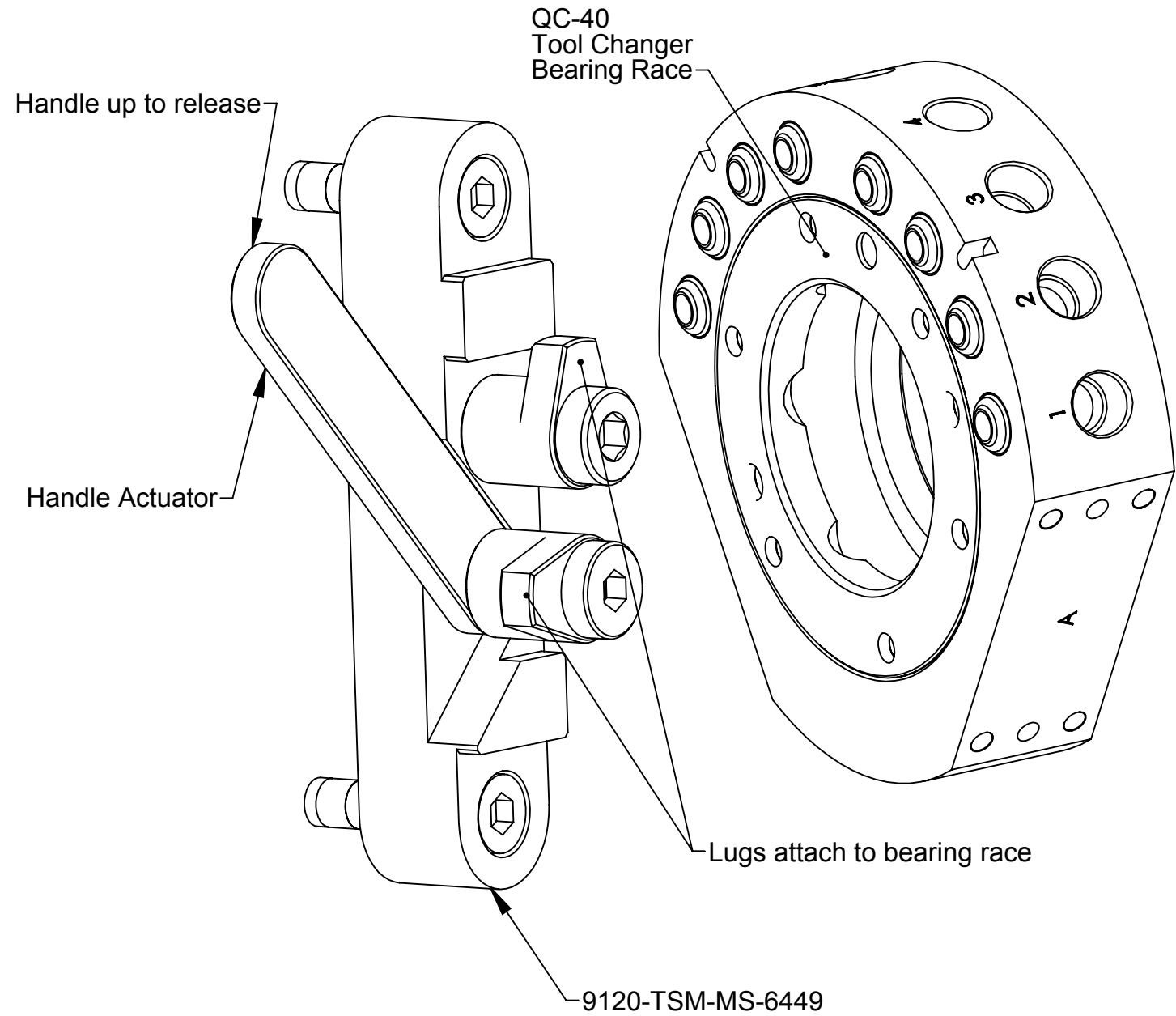


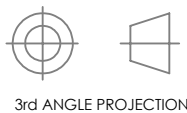
REV.	DESCRIPTION	INITIATOR	DATE
02	ECO 16324; Sheet 2: Corrected balloons to match 9120-TSM-MS-6449 assembly drawing. Changed Torque note to "7649-242 / 100 in-lb" was "Pre Applied / 100 in-lb". Dimension changed to 45.3 was 44.2. Removed balloon item 8 in reference to label. Removed exploded view for label. Updated Spring Pin note to "Press Spring Pins Until bottomed Out inside catch" was "Press Spring Pins flush with top surface". Removed Revision block.	TBC	12/20/2017



Notes:  
 1. Each end effector will have its own center of gravity. Additional anti-rotation feature (such as a bumper or remotely located shoulder bolt) may be necessary for desired resting position

NOTES: UNLESS OTHERWISE SPECIFIED.

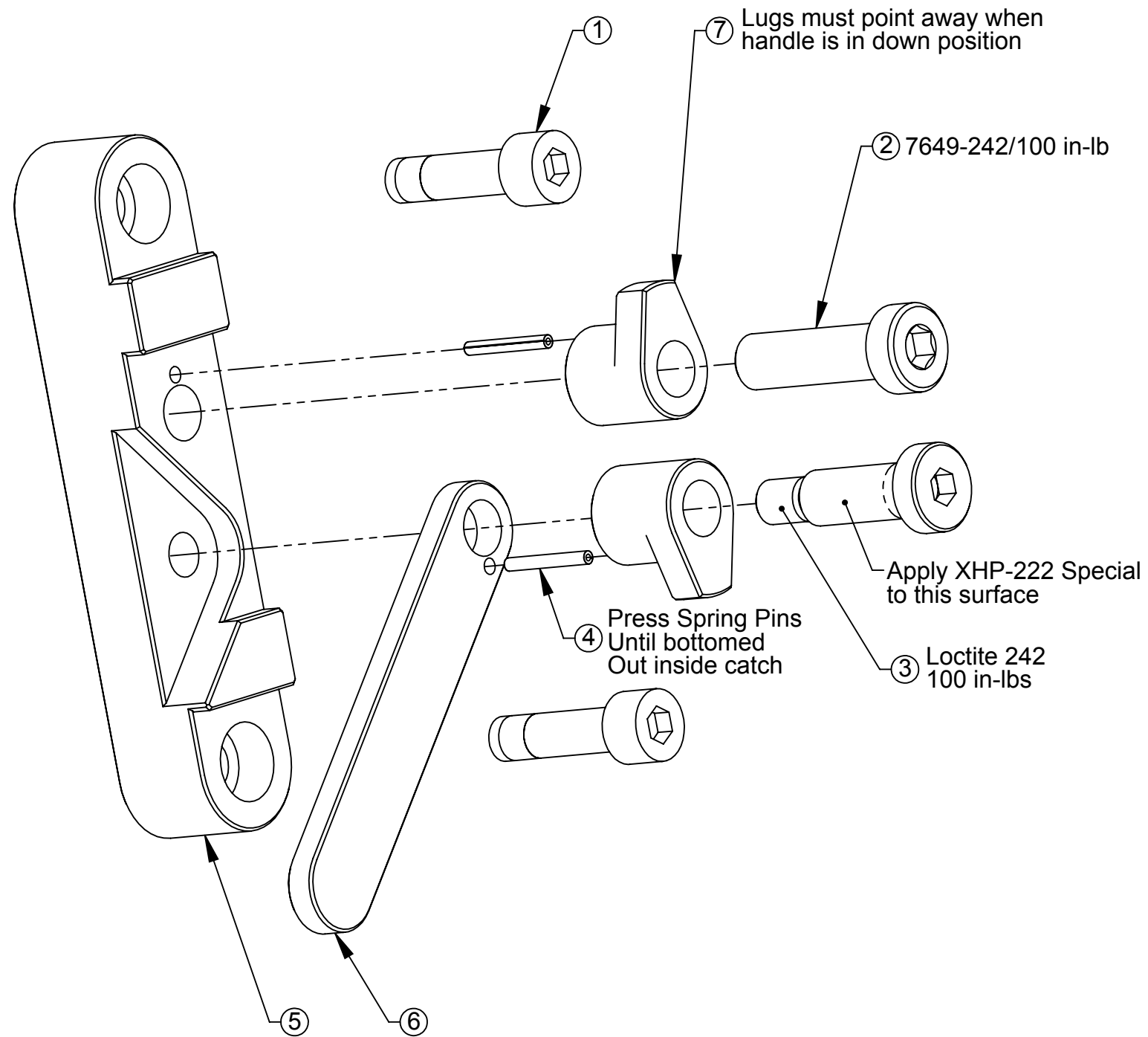
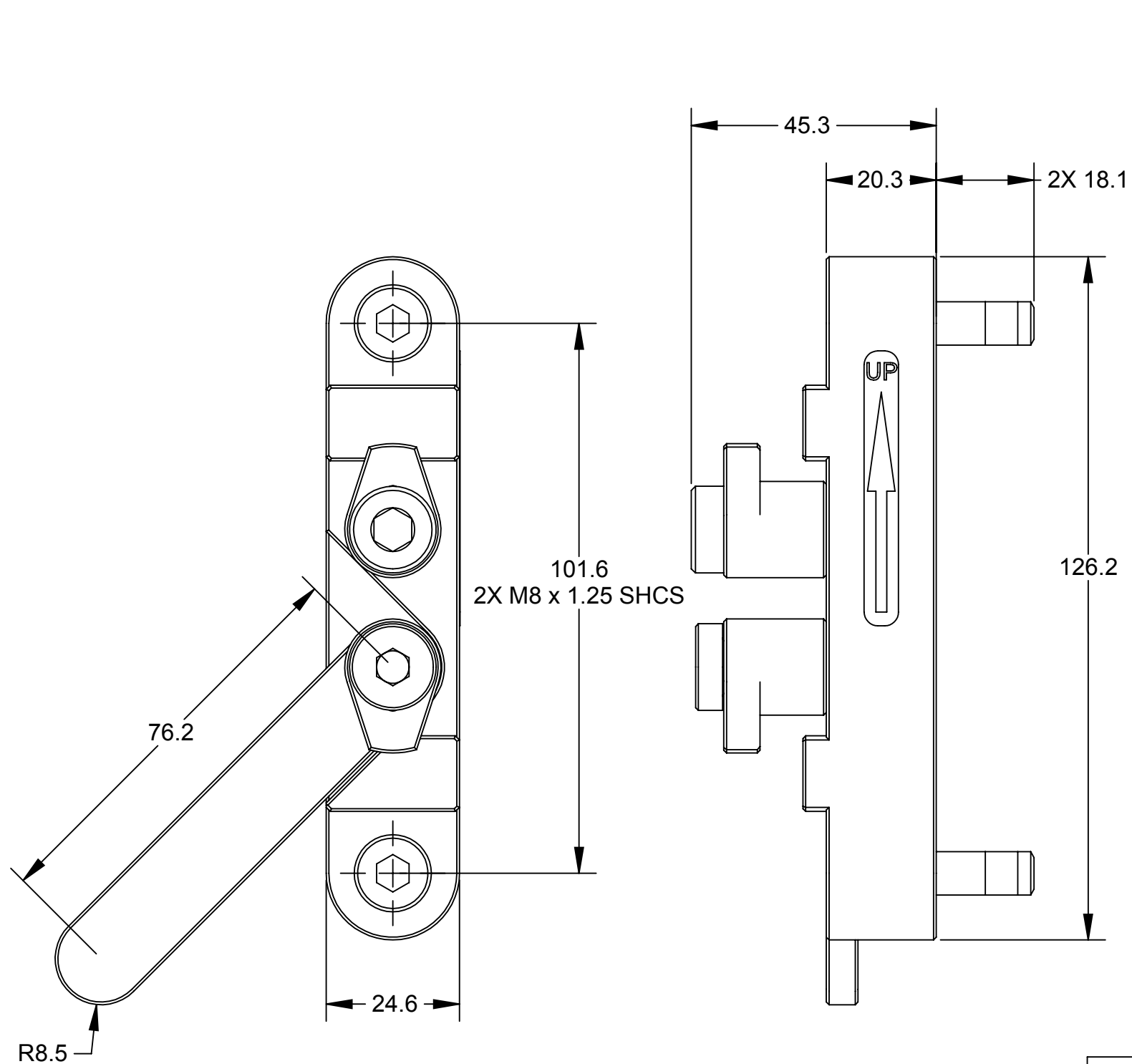
DO NOT SCALE DRAWING. ALL DIMENSIONS ARE IN MILLIMETERS.



1031 Goodworth Drive, Apex, NC 27539, USA  
 Tel: +1.919.772.0115 Email: info@ati-ia.com  
 Fax: +1.919.772.8259 www.ati-ia.com  
 ISO 9001 Registered Company

PROPERTY OF ATI INDUSTRIAL AUTOMATION, INC. NOT TO BE REPRODUCED IN ANY MANNER EXCEPT ON ORDER OR WITH PRIOR WRITTEN AUTHORIZATION OF ATI.

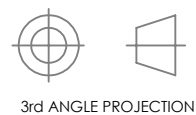
DRAWN BY: K Potts 10/20/10		TITLE	
CHECKED BY: J. Winterroth 6/26/13		QC-40 Manual Tool Storage	
PROJECT #	100504-2	SHEET	1 OF 2
SCALE	1:1	SIZE	B
DRAWING NUMBER	9630-20-TSM-MS-6449		REVISION
			02



Notes:  
1. Material: Anodized Aluminum

NOTES: UNLESS OTHERWISE SPECIFIED.

DO NOT SCALE DRAWING. ALL DIMENSIONS ARE IN MILLIMETERS.



1031 Goodworth Drive, Apex, NC 27539, USA  
Tel: +1.919.772.0115 Email: info@ati-ia.com  
Fax: +1.919.772.8259 www.ati-ia.com  
ISO 9001 Registered Company

PROPERTY OF ATI INDUSTRIAL AUTOMATION, INC. NOT TO BE REPRODUCED IN ANY MANNER EXCEPT ON ORDER OR WITH PRIOR WRITTEN AUTHORIZATION OF ATI.

DRAWN BY: K Potts 10/20/10		TITLE	
CHECKED BY: J. Winterroth 6/26/13		QC-40 Manual Tool Storage	
PROJECT # 100504-2	SHEET 2 OF 2	SCALE 1:1	SIZE B
DRAWING NUMBER 9630-20-TSM-MS-6449		REVISION 02	